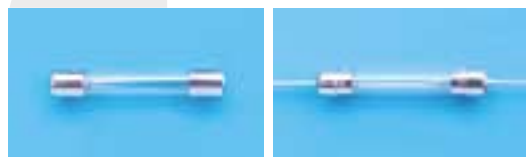


**Type 3SB / 3SBP**  
**Slow Blow Fuse Series**

1/4 x 1 1/4 inch Glass Tube  
RoHS Compliant

3SBD1005



**Electrical Characteristics** (UL/CSA STD. 248-14)

Testing current	Blow Time	
	Minimum	Maximum
100%	4 Hrs.	N/A
135%	N/A	1 Hr
200%	5 sec	30 sec

**Approvals**



Safety Agency Approvals	Type	Amp range/Volt @ I.R. ability
Listed File No. E20624	3SB / 3SBP	63mA - 8A / 125V AC @ 10,000A 63mA - 8A / 250 AC @ 200A 8.1A - 15A / 125V AC @ 10,000A
Certified File No. LR39772		63mA - 1A / 250V AC @ 35A >1A - 3.5A / 250V AC @ 100A >3.5A - 8A / 250V AC @ 200A 8.1A - 15A / 125V AC @ 10,000A
File No. JET1037-31003-1001 JET1037-31003-1003	3SB / 3SBP	1A - 5A / 125V AC @ 500A
File No. JET1037-31003-1002	3SB	>5A - 15A / 125V AC @ 300A

**RoHS Compliant Product**

For RoHS Compliant Version, add suffix "R" after catalog number

**Operating Temperature**

-55°C to +125°C

**Physical Specification**

**Materials**

Glass body / Nickel Plated Brass Caps

Lead wire:

Tin plated Copper,

Diameter 0.032", 5A and less

Diameter 0.040", 6A and above

**Marking**

On fuse:

"bel", "3SB", "Current Rating", "Voltage Rating",  
"Appropriate Safety Logos", "✓" (RoHS Version)

On label:

"bel", "3SB" or "3SBP", "Current Rating", "Voltage Rating",  
"Interrupting Rating", "Appropriate Safety Logos"  
and "" + suffix "R" for RoHS Version

Voltage on fuse:

250V for 63mA to 8A; 125V for 10A and above

Catalog Number	RoHS Suffix	Ampere Rating	Typical Cold Resistance (ohm)	Volt-drop @100% In (Volt) max.	Melting I <sup>2</sup> t < 10 mSec (A <sup>2</sup> Sec)	Melting I <sup>2</sup> t @10 In (A <sup>2</sup> Sec)	Maximum Power Dissipation (W)
3SB (P) 63	-R	63mA	77	6.9	0.09	0.10	0.7
3SB (P) 80	-R	80mA	52	5.7	0.13	0.15	0.7
3SB (P) 100	-R	100mA	29	3.5	0.21	0.24	0.5
3SB (P) 125	-R	125mA	16	2.7	0.32	0.37	0.6
3SB (P) 160	-R	160mA	11	2.3	0.50	0.58	0.6
3SB (P) 200	-R	200mA	8.3	1.9	0.77	0.91	0.6
3SB (P) 250	-R	250mA	5.6	1.6	1.20	1.42	0.6
3SB (P) 300	-R	300mA	3.8	1.3	1.85	2.22	0.7
3SB (P) 375	-R	375mA	2.5	1.1	2.61	3.15	0.71
3SB (P) 500	-R	500mA	1.4	0.9	4.43	5.41	0.75
3SB (P) 750	-R	750mA	0.7	0.67	8.7	10.1	0.83
3SB (P) 1	-R	1A	0.4	0.54	16.4	20.6	0.88
3SB (P) 1.25	-R	1.25A	0.24	0.5	25.4	32.3	0.9
3SB (P) 1.6	-R	1.6A	0.16	0.38	39	50	1.0
3SB (P) 2	-R	2A	0.12	0.32	61	79	1.0
3SB (P) 2.5	-R	2.5A	0.08	0.27	94	123	1.1
3SB (P) 3	-R	3A	0.07	0.22	146	192	1.1
3SB (P) 4	-R	4A	0.04	0.19	226	300	1.2
3SB (P) 5	-R	5A	0.03	0.16	349	469	1.3
3SB (P) 6	-R	6A	0.02	0.16	286	455	1.6
3SB (P) 7	-R	7A	0.016	0.16	372	592	1.8
3SB (P) 8	-R	8A	0.014	0.15	483	769	1.9
3SB (P) 10	-R	10A	0.010	0.14	817	1300	2.3
3SB (P) 12	-R	12A	0.008	0.13	1277	2031	2.6
3SB (P) 15	-R	15A	0.006	0.12	2123	3377	3.0

Consult manufacturer for other ratings

**Packaging**

1. In bulk:

**3SB** - 1,000 pcs per box; **3SBP** - 500 pcs per box

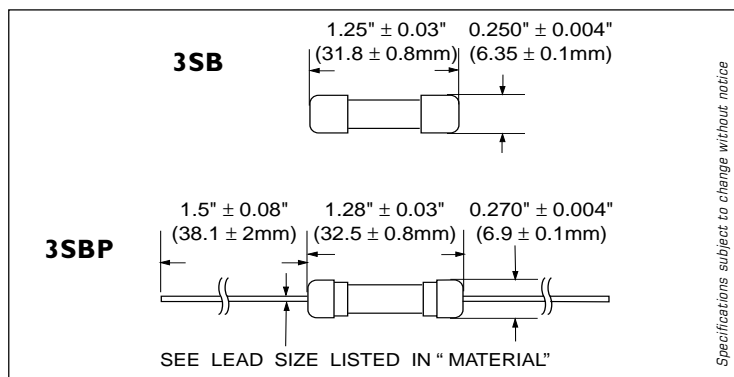
2. On Axial Tape & Reel:

1,000 pcs per reel

3. Tape & Reel specification:

per EIA-296-E & IEC 286-1 @ 10mm Pitch and 73mm inside Tape Spacing

**Mechanical Dimensions**



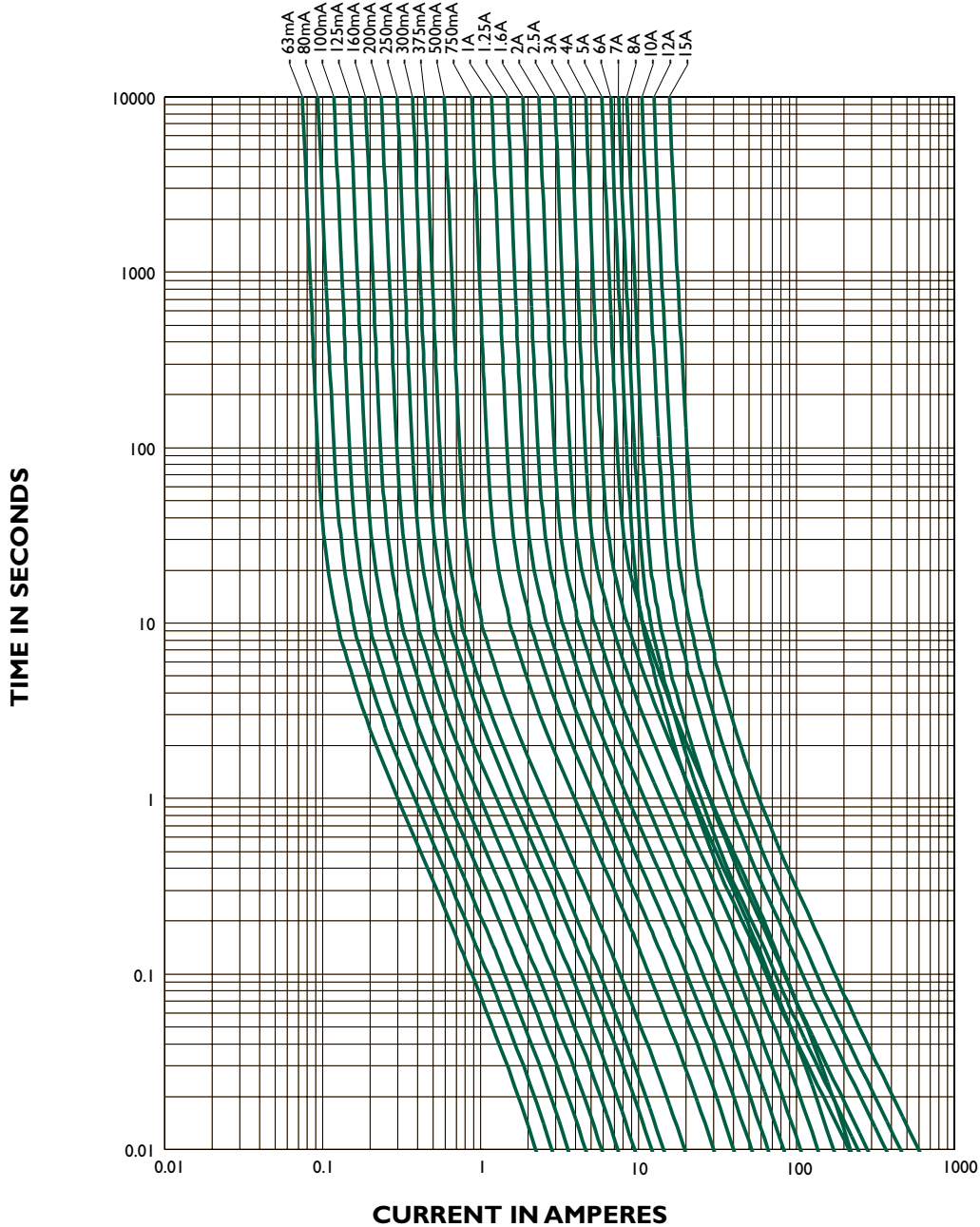
ORDERING INFORMATION SEE LAST 2 PAGES

**Type 3SB / 3SBP**  
**Slow Blow Fuse Series**

1/4 x 1 1/4 inch Glass Tube  
 RoHS Compliant

3SBC1005

**3SB / 3SBP - TIME CURRENT CHARACTERISTIC CURVE**



Specifications subject to change without notice

NOTE - see important information under "User Guide" on P.08

**Corporate Office**  
**Bel Fuse Inc.**  
 206 Van Vorst Street, Jersey City, NJ 07302  
 Tel: 201-432-0463  
 Fax: 201-432-9542  
 E-Mail: [belfuse@belfuse.com](mailto:belfuse@belfuse.com)  
 Website: [www.belfuse.com](http://www.belfuse.com)

**Far East Office**  
**Bel Fuse Ltd.**  
 8F/8 Luk Hop Street  
 San Po Kong  
 Kowloon, Hong Kong  
 Tel: 852-2328-5515  
 Fax: 852-2352-3706

**European Office**  
**Bel Fuse Europe Ltd.**  
 Preston Technology Management Centre  
 Marsh Lane, Preston PR1 8UD  
 Lancashire, U.K  
 Tel: 44-1772-556601  
 Fax: 44-1772-888366